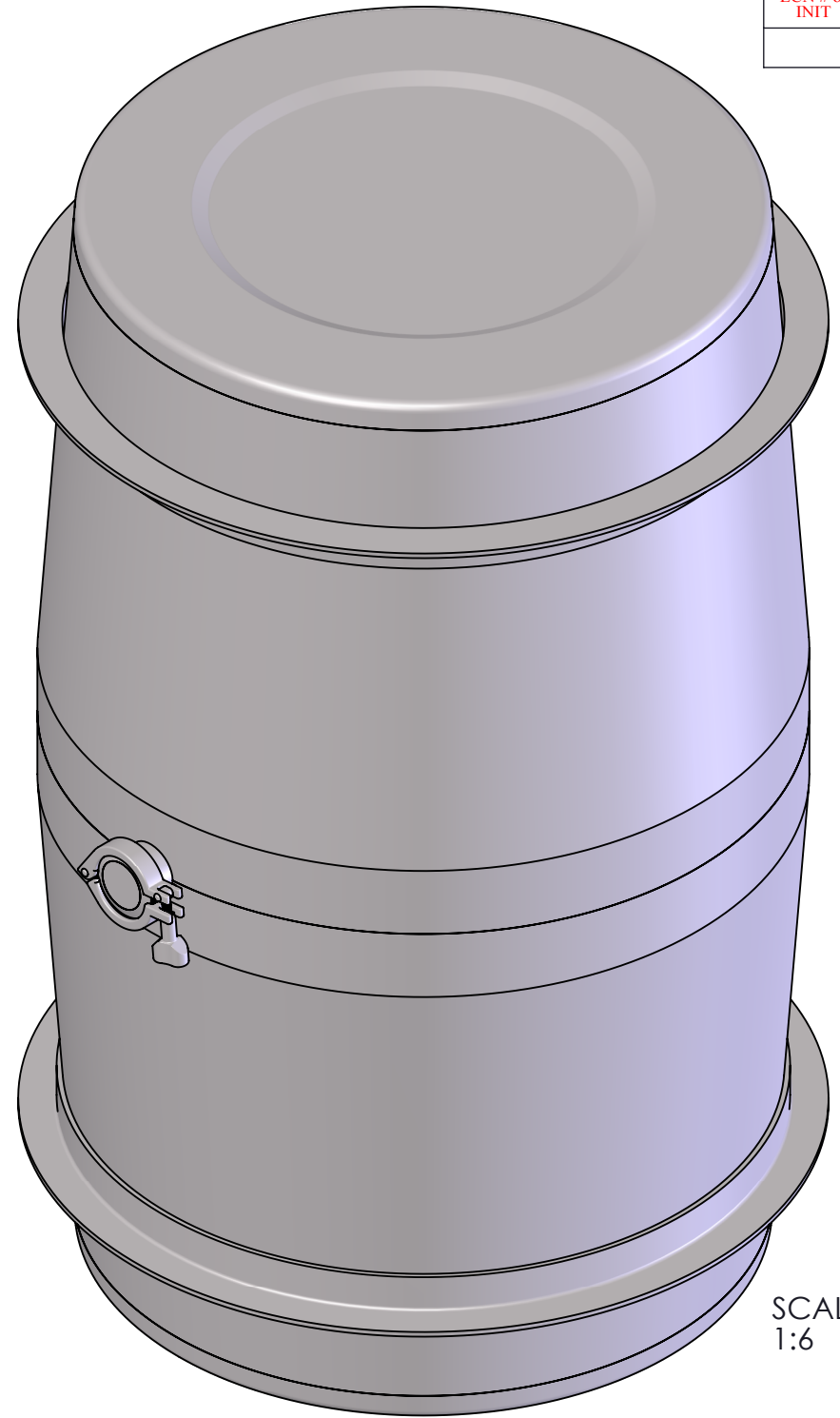
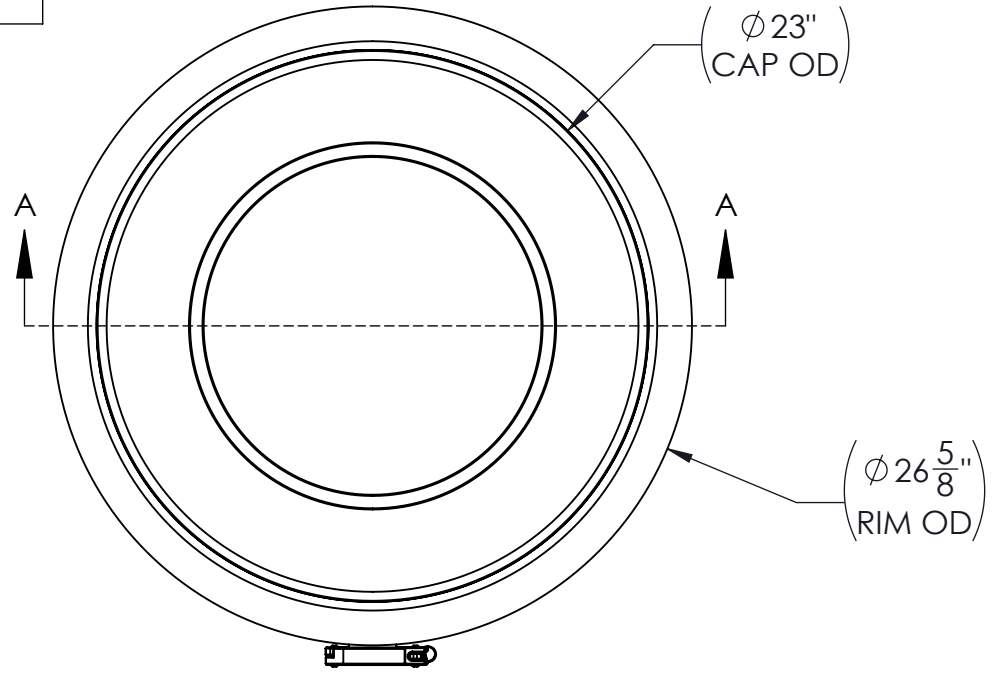
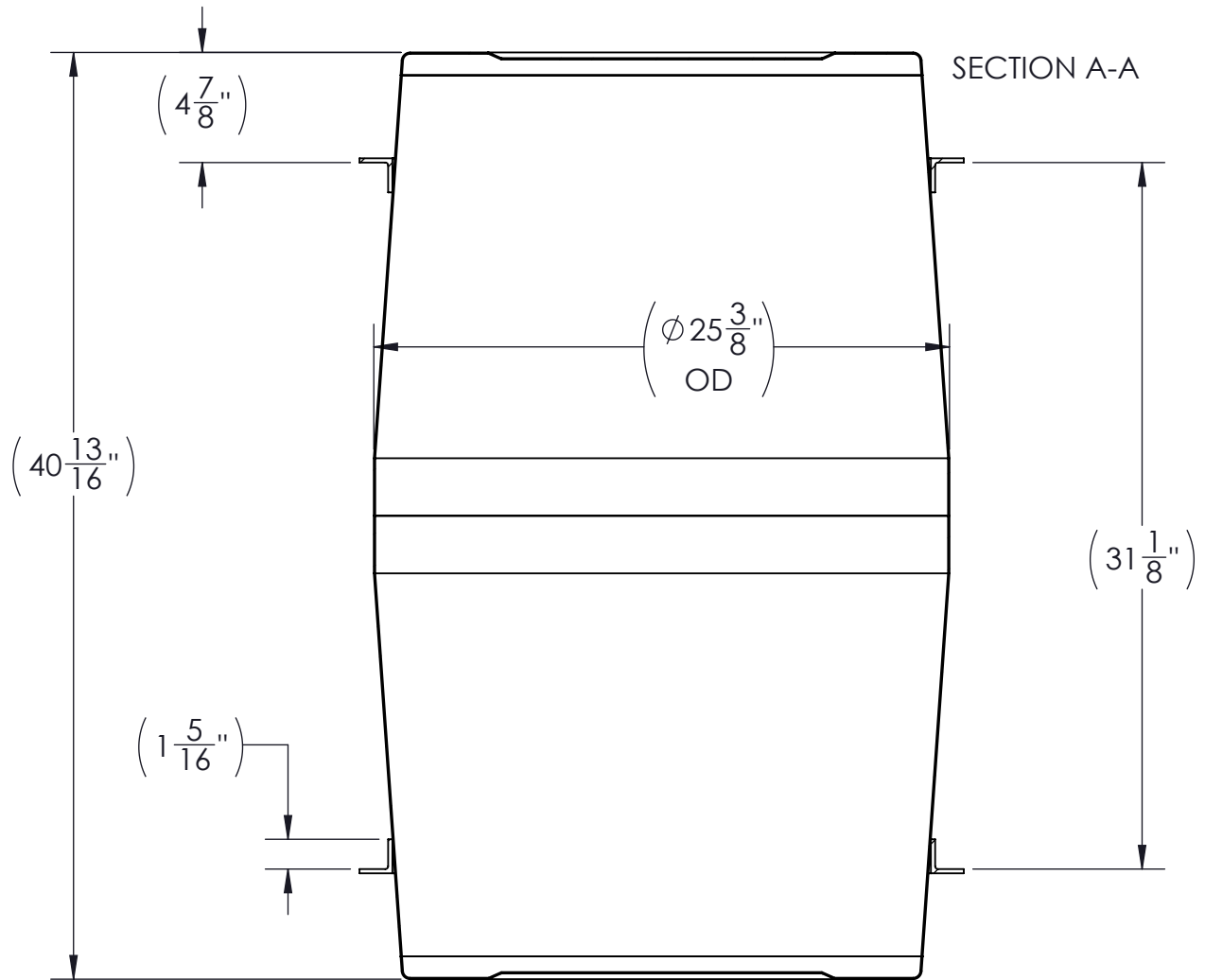


IW80TB

ECN # or INIT	REV	DESCRIPTION	DATE
	A1	REDRAWN TO CAD	13-JUL-2015



SCALE  
1:6



TARE WEIGHT:  
95 lbs

MAT'L <b>DRUM: 16GA 304SS-2B</b>	DRW LJT	CHK DZ	<b>UNLESS STATED OTHERWISE</b> <i>(DIMENSIONS IN PARENTHESIS ARE FOR REFERENCE ONLY!!!)</i> <b>ALL DIMENSIONS ARE IN INCHES</b> <b>DO NOT SCALE DRAWING (SCALE = 1:8)</b> <b>TOLERANCES:</b> <b>FRACTIONS ±1/4</b>	<b>SKOLNIK INDUSTRIES, INC.</b> 4900 SOUTH KILBOURN AVENUE, CHICAGO, IL 60632
<b>FITTING: 304SS</b>	SLS DR	QA SB		
<small>THE USE OF INFORMATION CONTAINED HEREIN IS RESTRICTED FOR THE BENEFIT OF SKOLNIK INDUSTRIES ONLY. UNAUTHORIZED USE OR DISCLOSURE, COPYING OR OTHERWISE REPRODUCING (IN ANY MANNER) ANY PORTION OF THIS DRAWING WITHOUT PRIOR WRITTEN PERMISSION OF AN AUTHORIZED OFFICIAL OF SKOLNIK INDUSTRIES IS STRICTLY PROHIBITED.</small>			APR RT	DESCRIPTION <b>80 GALLON TIGHT HEAD DRUM</b> 2in TRI-CLOVER FITTING IN BODY CENTER STAINLESS STEEL
FILE CREATED IN <b>SolidWorks</b>			3 <sup>RD</sup>	REL. DATE 13-JUL-2015
				PART NUM. / FILENAME <b>IW80TB</b>
				REV <b>A</b>

BEST PRINTED ON B-SIZE PAPER